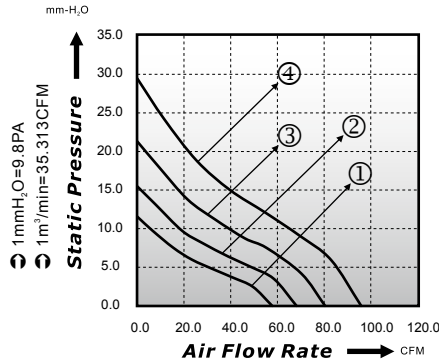


80x80x38mm

Model D

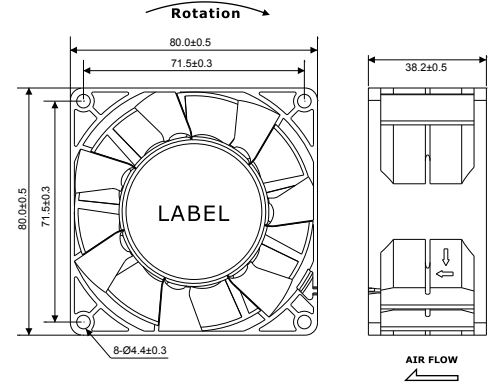


P-Q Curve (At Rated Voltage)



Dimensions Drawing

Unit: (mm)



Model No	Bearing (*)	Rated Voltage (VDC)	Rated Current (A)	Power Consumption (Watts)	Speed (rpm)	Air Flow (CFM)	Static Pressure (mmH ₂ O)	Noise (dBA)	Curve
ED08038-12L*	●	12	1.20	14.40	4500	57.77	11.55	50.60	1
ED08038-12M*	●	12	1.50	18.00	5500	68.18	15.47	56.00	2
ED08038-12H*	●	12	2.20	26.40	6500	80.41	21.30	61.00	3
ED08038-12HH*	●	12	2.80	33.60	7500	95.88	29.45	64.50	4

* Bearing Type: ○ Sleeve ● Two Ball ○ Hydro-Dynamic